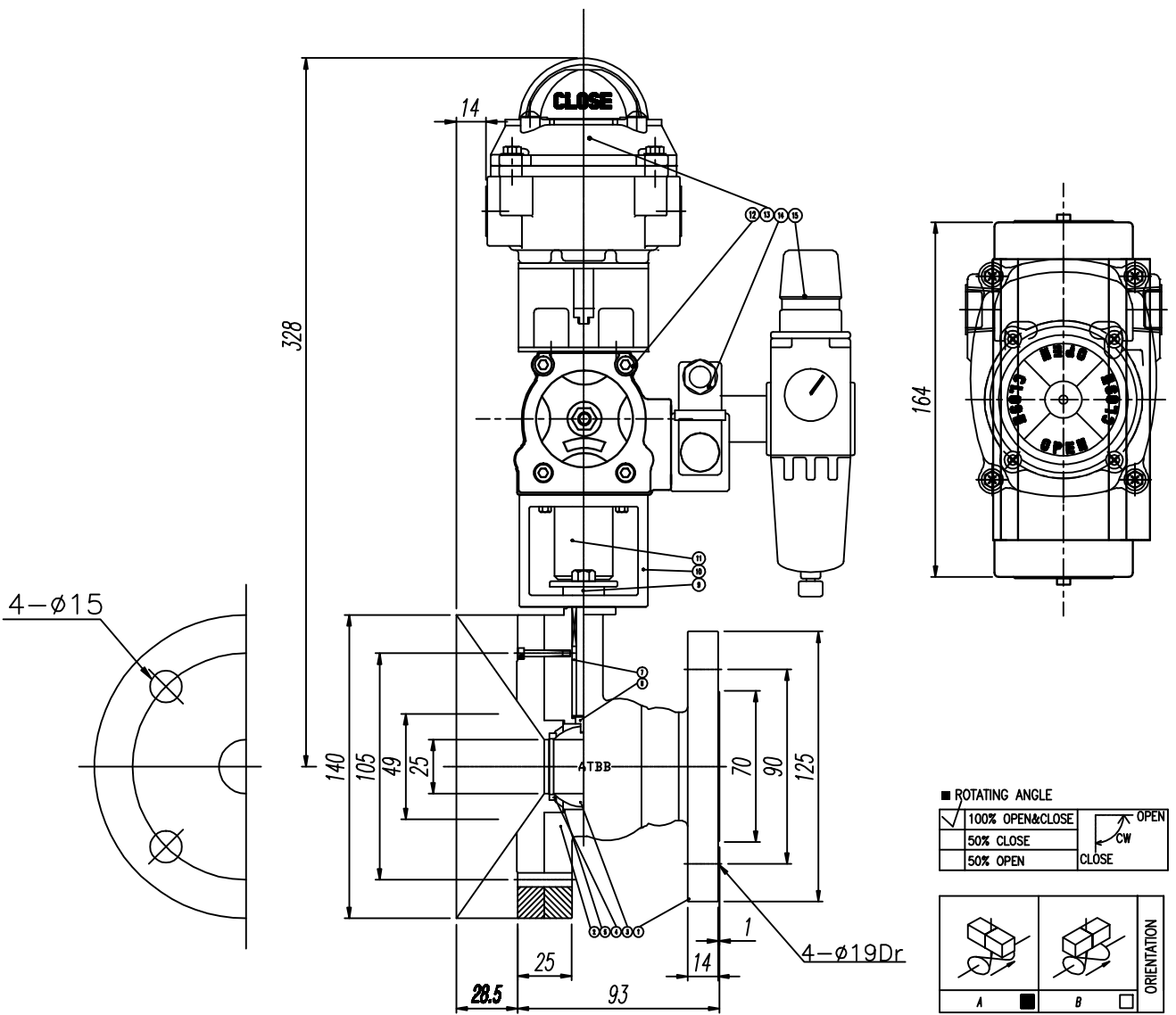



17-1

FOR APPROVAL

NO	DESCRIPTIONS	MATERIAL	QT'Y	REMARKS
1	BODY	SCS13	1	
2	BODY CAP	SCS13	1	
3	BALL	SUS304 or SCS13	1	
4	STEM	SUS304	1	
5	SEAT RING	PTFE	2	
6	GASKET	PTFE	1	
7	V-PACKING	PTFE	2SET	
8	BACK SEAT RING	PTFE	1	
9	GLAND	SUS304	1	
10	BRACKET		1	
11	JOINT		1	
12	ACTUATOR	TD50	1	
13	SOLENOID VALVE	SN3101	1	
14	LIMIT SWITCH BDX	ITS100	1	
15	AIR SET	SAW2000	1	

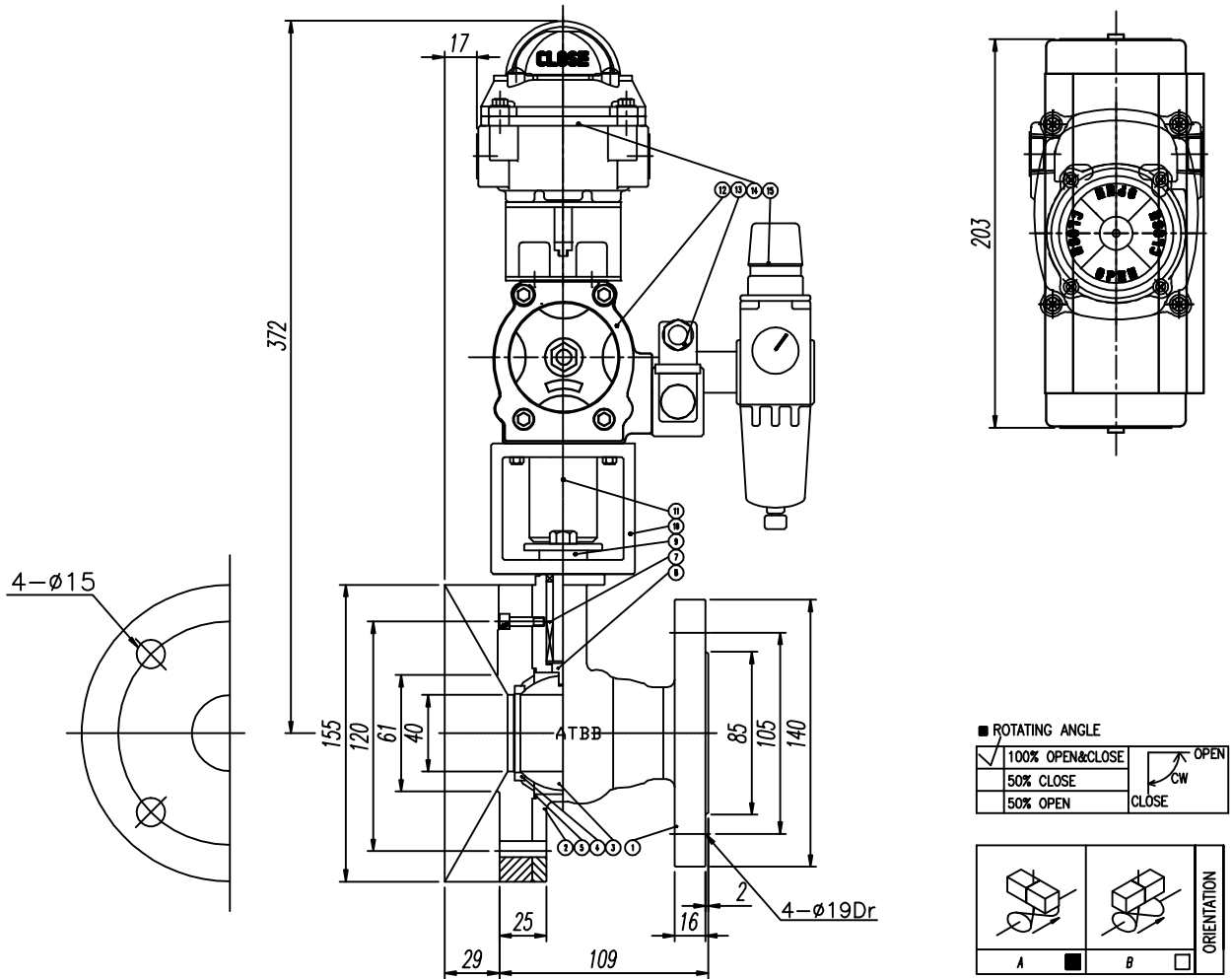



Designed by	Checked by	Approved by - date	File name	Date	Scale	Unit
C.I. KIM			TD50-25	2011.02.14	NS	mm
 <b>TAESUNG</b> <a href="http://www.tsvv.co.kr">http://www.tsvv.co.kr</a>			Title	TD50-25F-S/V-L/S-A/S JIS10K RF TANK BOTTOM BALL VALVE		
			Model	Drawing no. A110214-03-16		

17-2

FOR APPROVAL

NO	DESCRIPTIONS	MATERIAL	QT'Y	REMARKS
1	BODY	SCS13	1	
2	BODY CAP	SCS13	1	
3	BALL	SUS304 or SCS13	1	
4	STEM	SUS304	1	
5	SEAT RING	PTFE	2	
6	GASKET	PTFE	1	
7	V-PACKING	PTFE	2SET	
8	BACK SEAT RING	PTFE	1	
9	GLAND	SUS304	1	
10	BRACKET		1	
11	JOINT		1	
12	ACTUATOR	TD65	1	
13	SOLENOID VALVE	SN3101	1	
14	LIMIT SWITCH BDX	ITS100	1	
15	AIR SET	SAW2000	1	

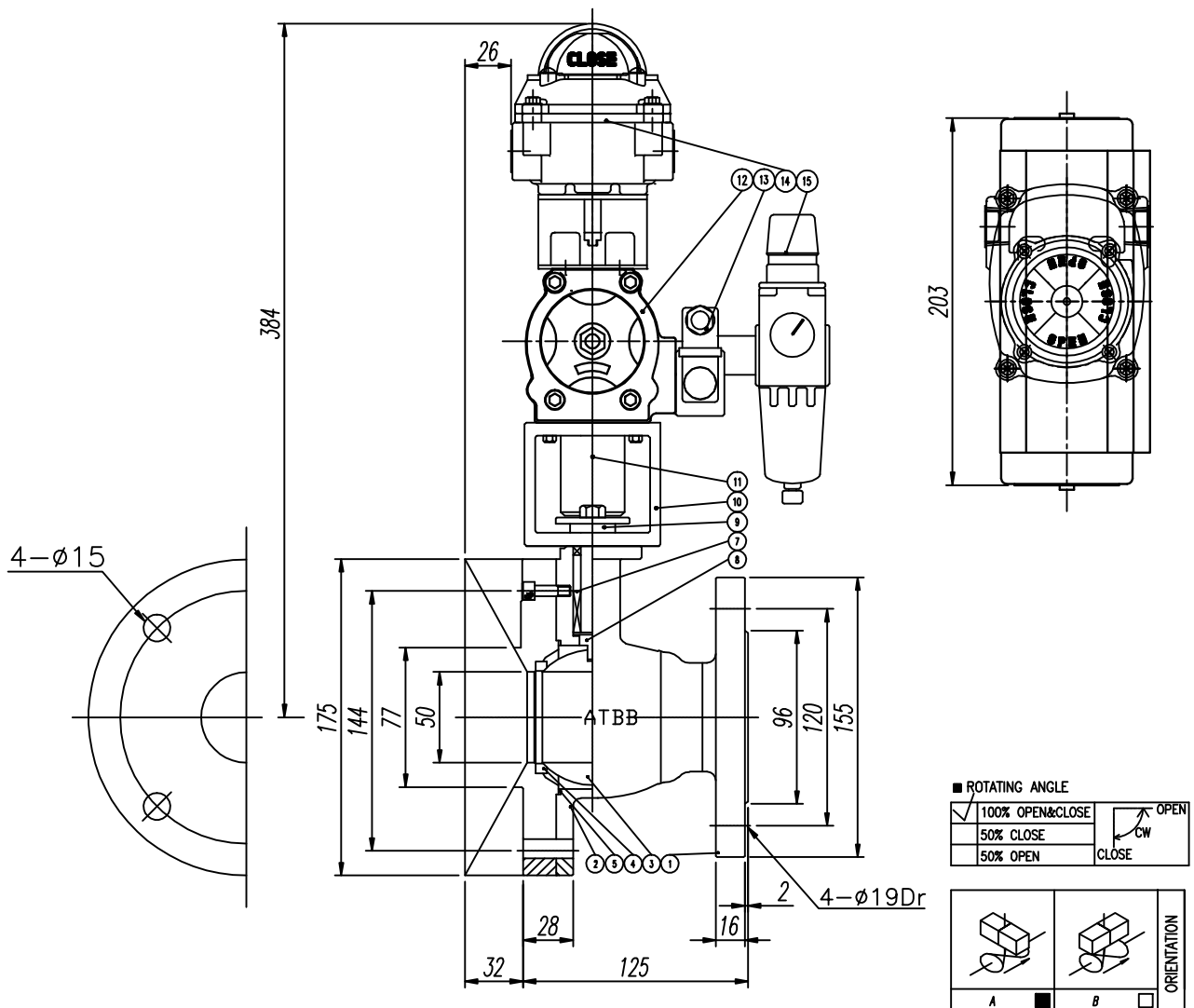



Designed by	Checked by	Approved by - date	File name	Date	Scale	Unit
C.I. KIM			TD65-40	2011.02.14	NS	mm
 <b>TAESUNG</b> <a href="http://www.tsvv.co.kr">http://www.tsvv.co.kr</a>			Title	TD65-40F-S/V-L/S-A/S JIS10K RF TANK BOTTOM BALL VALVE		
			Model	Drawing no.		
			A110214-03-16			

17-3

FOR APPROVAL

NO	DESCRIPTIONS	MATERIAL	QTY	REMARKS
1	BODY	SCS13	1	
2	BODY CAP	SCS13	1	
3	BALL	SUS304 or SCS13	1	
4	STEM	SUS304	1	
5	SEAT RING	PTFE	2	
6	GASKET	PTFE	1	
7	V-PACKING	PTFE	2SET	
8	BACK SEAT RING	PTFE	1	
9	GLAND	SUS304	1	
10	BRACKET		1	
11	JOINT		1	
12	ACTUATOR	TD65	1	
13	SOLENOID VALVE	SN3101	1	
14	LIMIT SWITCH BDX	ITS100	1	
15	AIR SET	SAW2000	1	

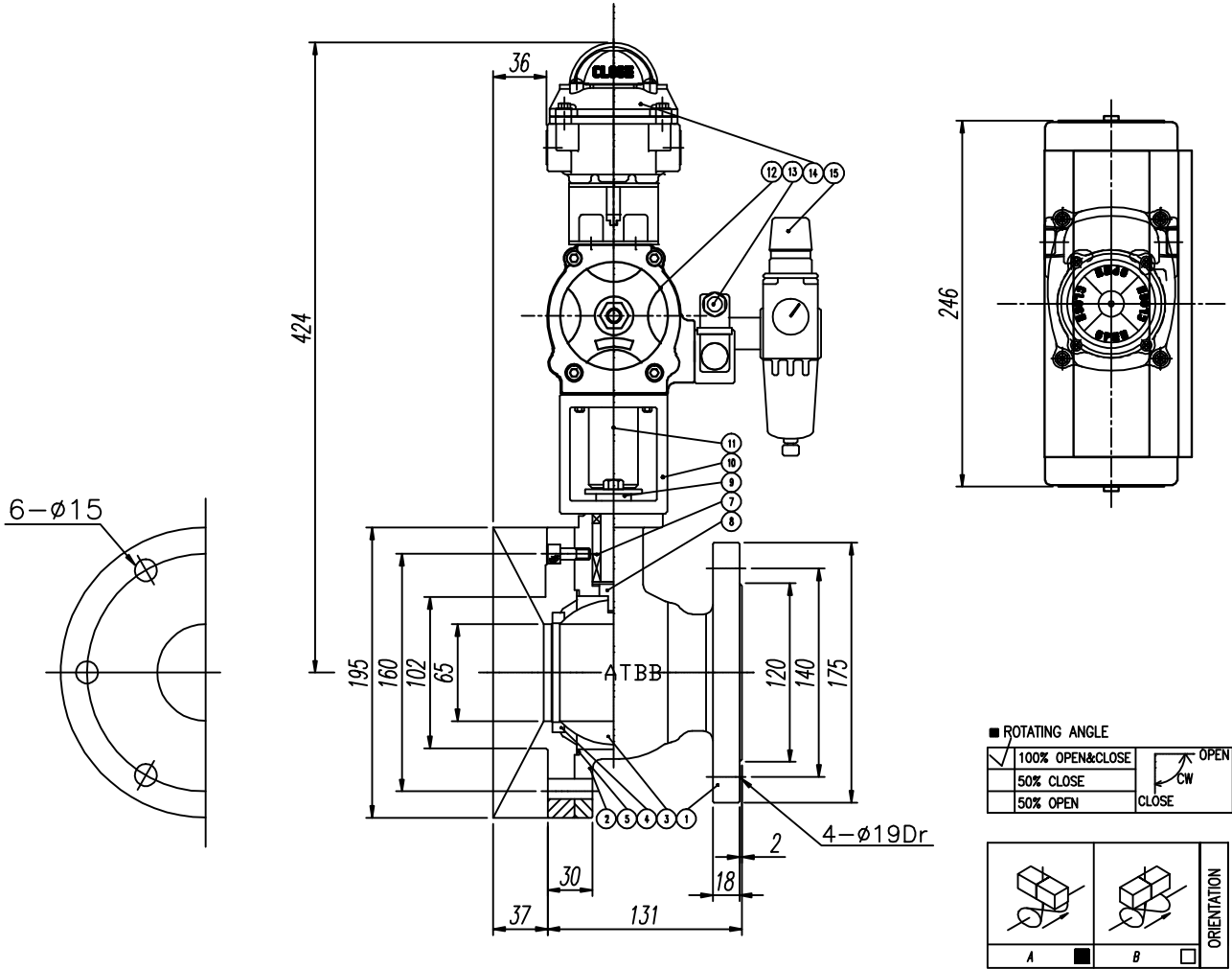



Designed by	Checked by	Approved by - date	File name	Date	Scale	Unit
C.I. KIM			TD65-50	2011.02.14	NS	mm
 <b>TAESUNG</b> <a href="http://www.tsvv.co.kr">http://www.tsvv.co.kr</a>			Title TD65-50F-S/V-L/S-A/S JIS10K RF TANK BOTTOM BALL VALVE			
			Model		Drawing no.	

17-4

FOR APPROVAL

NO	DESCRIPTIONS	MATERIAL	QTY	REMARKS
1	BODY	SCS13	1	
2	BODY CAP	SCS13	1	
3	BALL	SUS304 or SCS13	1	
4	STEM	SUS304	1	
5	SEAT RING	PTFE	2	
6	GASKET	PTFE	1	
7	V-PACKING	PTFE	2SET	
8	BACK SEAT RING	PTFE	1	
9	GLAND	SUS304	1	
10	BRACKET		1	
11	JOINT		1	
12	ACTUATOR	TD80	1	
13	SOLENOID VALVE	SN3101	1	
14	LIMIT SWITCH BDX	ITS100	1	
15	AIR SET	SAW2000	1	

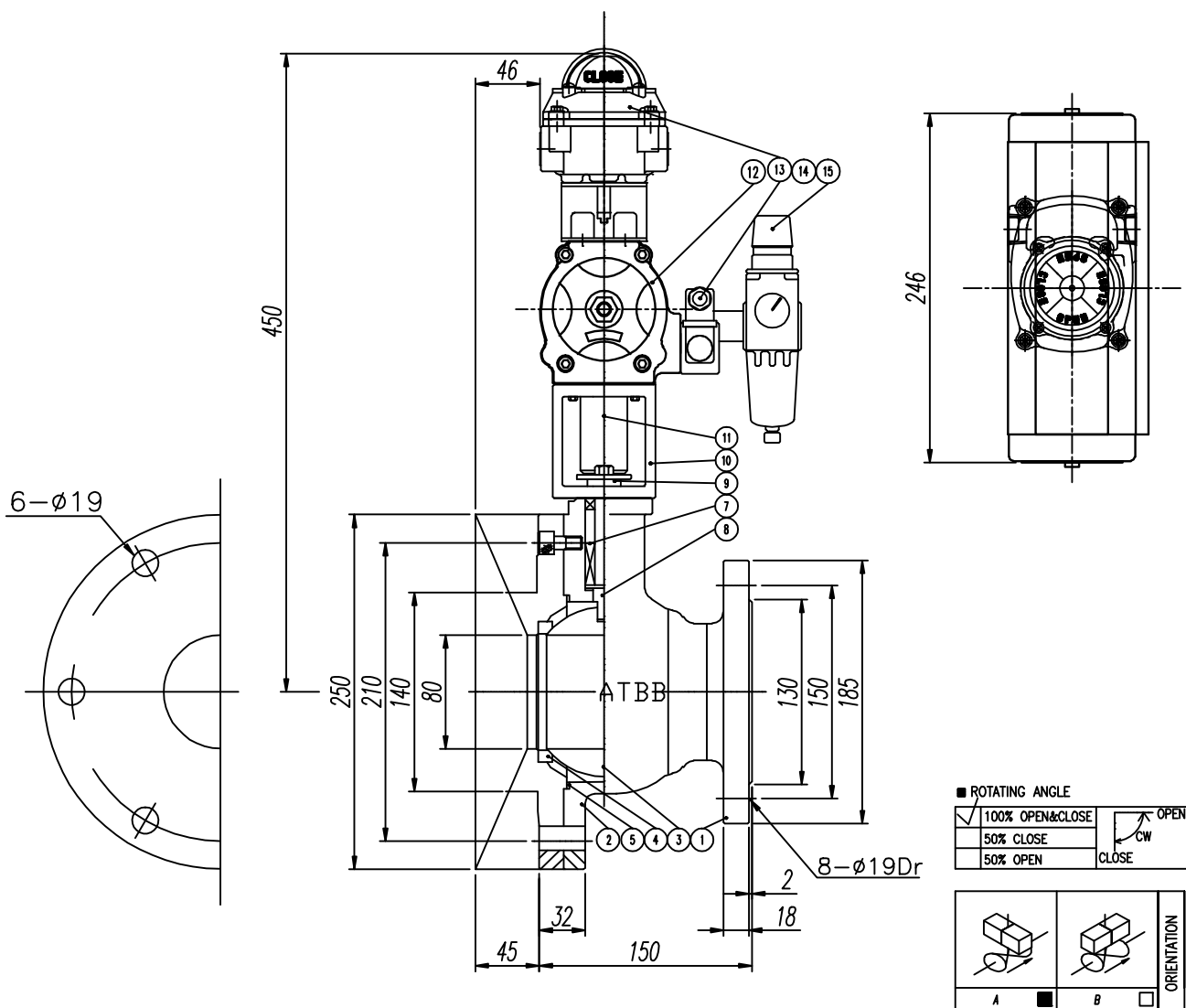



Designed by	Checked by	Approved by - date	File name	Date	Scale	Unit
C.I. KIM			TD80-65	2011.02.14	NS	mm
 <b>TAESUNG</b> <a href="http://www.tsvv.co.kr">http://www.tsvv.co.kr</a>			Title		TD80-65F-S/V-L/S-A/S	
			Model		Drawing no.	

17-5

FOR APPROVAL

NO	DESCRIPTIONS	MATERIAL	QTY	REMARKS
1	BODY	SCS13	1	
2	BODY CAP	SCS13	1	
3	BALL	SUS304 or SCS13	1	
4	STEM	SUS304	1	
5	SEAT RING	PTFE	2	
6	GASKET	PTFE	1	
7	V-PACKING	PTFE	2SET	
8	BACK SEAT RING	PTFE	1	
9	GLAND	SUS304	1	
10	BRACKET		1	
11	JOINT		1	
12	ACTUATOR	TD80	1	
13	SOLENOID VALVE	SN3101	1	
14	LIMIT SWITCH BDX	ITS100	1	
15	AIR SET	SAW2000	1	

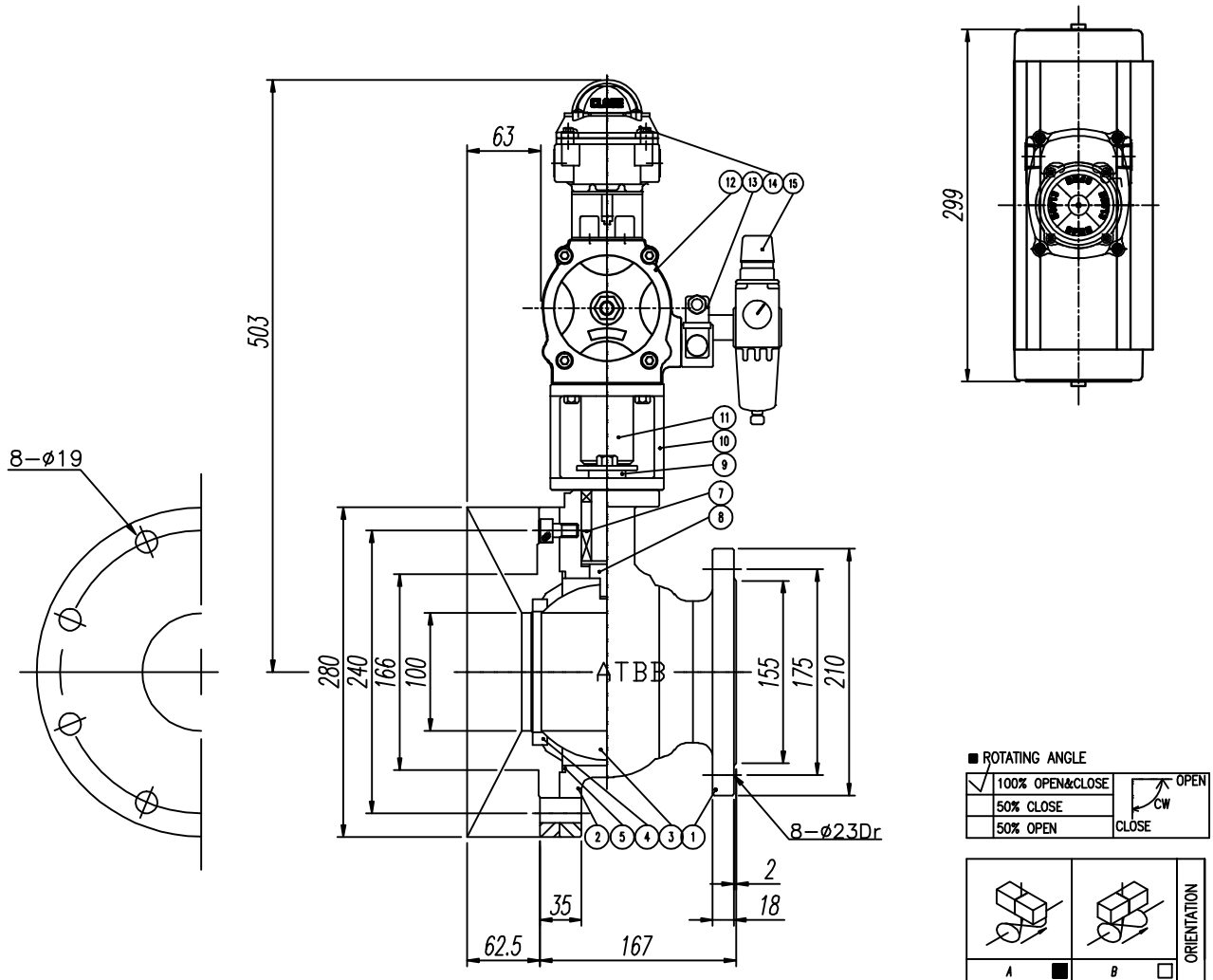



Designed by	Checked by	Approved by - date	File name	Date	Scale	Unit
C.I. KIM			TD80-80	2011.02.14	NS	mm
 <b>TAESUNG</b> <a href="http://www.tsvv.co.kr">http://www.tsvv.co.kr</a>			Title		TD80-80F-S/V-L/S-A/S	
			Model		Drawing no.	

17-6

FOR APPROVAL

NO	DESCRIPTIONS	MATERIAL	QT'Y	REMARKS
1	BODY	SCS13	1	
2	BODY CAP	SCS13	1	
3	BALL	SUS304 or SCS13	1	
4	STEM	SUS304	1	
5	SEAT RING	PTFE	2	
6	GASKET	PTFE	1	
7	V-PACKING	PTFE	2SET	
8	BACK SEAT RING	PTFE	1	
9	GLAND	SUS304	1	
10	BRACKET		1	
11	JOINT		1	
12	ACTUATOR	TD100	1	
13	SOLENOID VALVE	SN3101	1	
14	LIMIT SWITCH BDX	ITS100	1	
15	AIR SET	SAW2000	1	

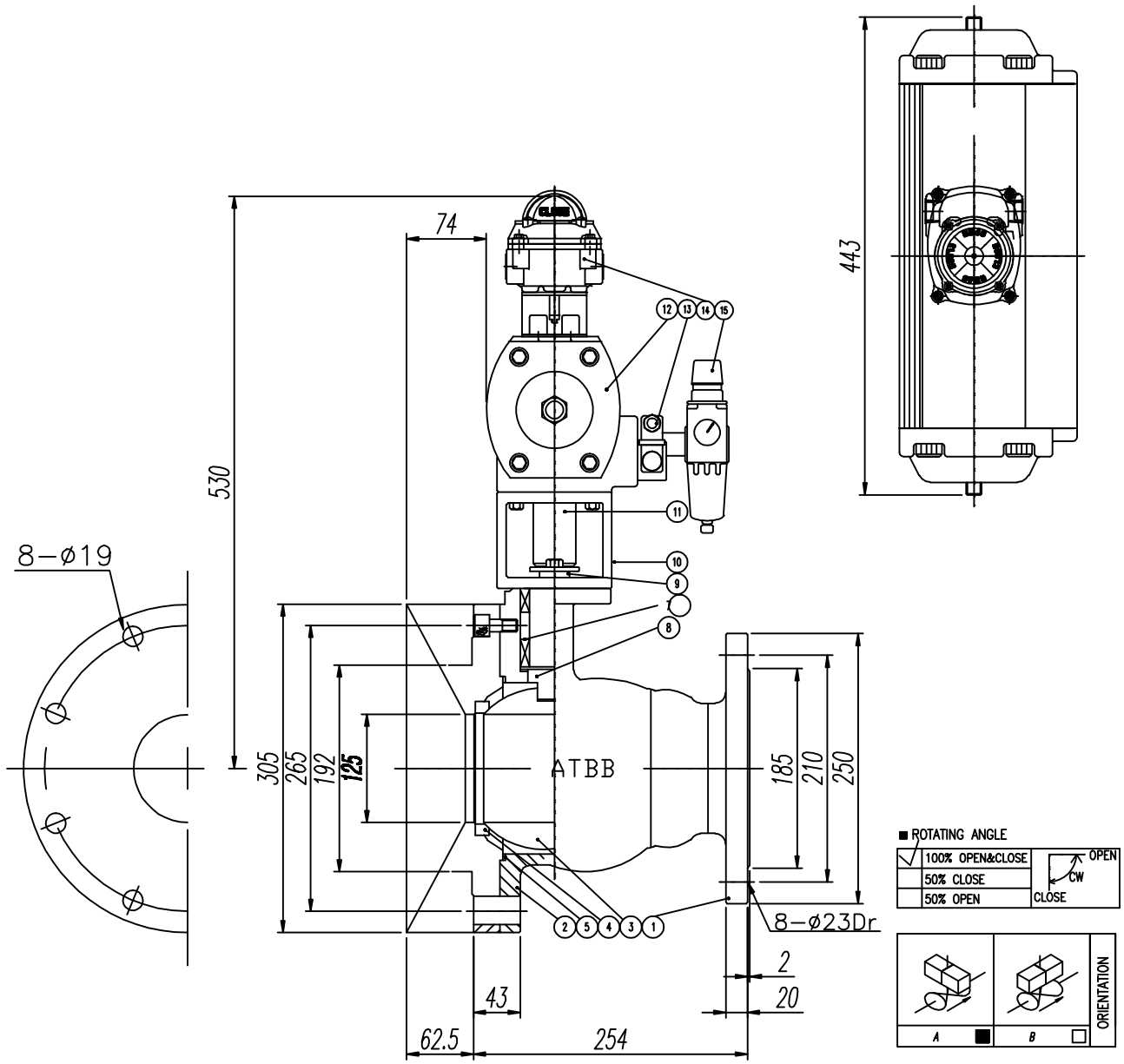



Designed by	Checked by	Approved by - date	File name	Date	Scale	Unit
C.I. KIM			TD100-100	2011.02.14	NS	mm
 <b>TAESUNG</b> <a href="http://www.tsvv.co.kr">http://www.tsvv.co.kr</a>			Title TD100-100F-S/V-L/S-A/S JIS10K RF TANK BOTTOM BALL VALVE			
			Model		Drawing no.	

17-7

FOR APPROVAL

NO	DESCRIPTIONS	MATERIAL	QTY	REMARKS
1	BODY	SCS13	1	
2	BODY CAP	SCS13	1	
3	BALL	SUS304 or SCS13	1	
4	STEM	SUS304	1	
5	SEAT RING	PTFE	2	
6	GASKET	PTFE	1	
7	V-PACKING	PTFE	2SET	
8	BACK SEAT RING	PTFE	1	
9	GLAND	SUS304	1	
10	BRACKET		1	
11	JOINT		1	
12	ACTUATOR	TD125	1	
13	SOLENOID VALVE	SN3101	1	
14	LIMIT SWITCH BDX	ITS100	1	
15	AIR SET	SAW2000	1	

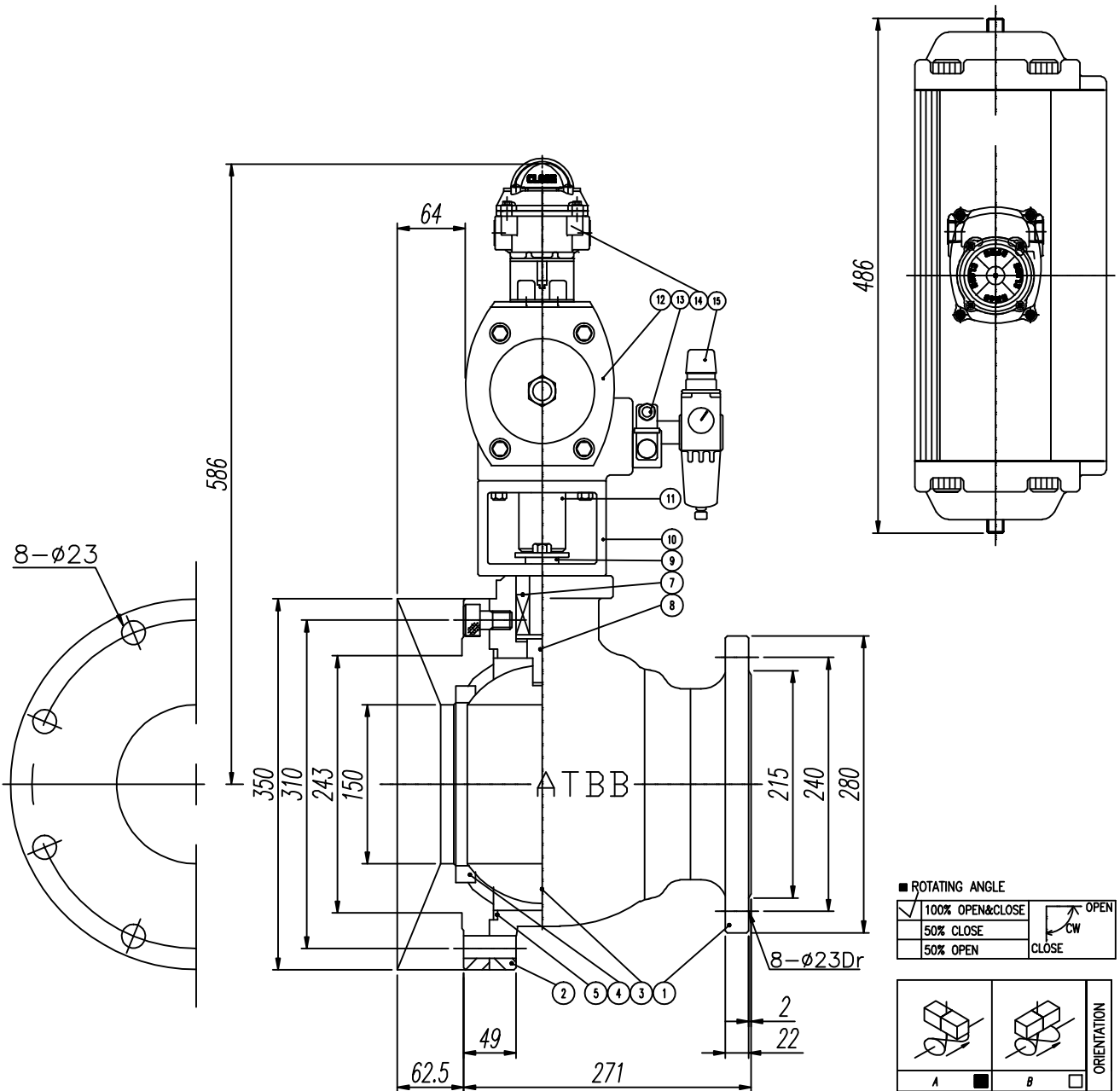



Designed by	Checked by	Approved by - date	File name	Date	Scale	Unit
C.I. KIM			TD125-125	2011.02.14	NS	mm
 <b>TAESUNG</b> <a href="http://www.tsvv.co.kr">http://www.tsvv.co.kr</a>			Title	TD125-125F-S/V-L/S-A/S JIS10K RF TANK BOTTOM BALL VALVE		
			Model	Drawing no. A110214-03-16		

17-8

FOR APPROVAL

NO	DESCRIPTIONS	MATERIAL	QTY	REMARKS
1	BODY	SCS13	1	
2	BODY CAP	SCS13	1	
3	BALL	SUS304 or SCS13	1	
4	STEM	SUS304	1	
5	SEAT RING	PTFE	2	
6	GASKET	PTFE	1	
7	V-PACKING	PTFE	2SET	
8	BACK SEAT RING	PTFE	1	
9	GLAND	SUS304	1	
10	BRACKET		1	
11	JOINT		1	
12	ACTUATOR	TD140	1	
13	SOLENOID VALVE	SN3101	1	
14	LIMIT SWITCH BDX	ITS100	1	
15	AIR SET	SAV2000	1	



Designed by	Checked by	Approved by - date	File name	Date	Scale	Unit
C.I. KIM			TD140-150	2011.02.14	NS	mm
 <b>TAESUNG</b> <a href="http://www.tsvv.co.kr">http://www.tsvv.co.kr</a>			Title TD140-150F-S/V-L/S-A/S JIS10K RF TANK BOTTOM BALL VALVE			
			Model		Drawing no.	
			A110214-03-16			